



PERFORMANCE EXHAUST SYSTEM

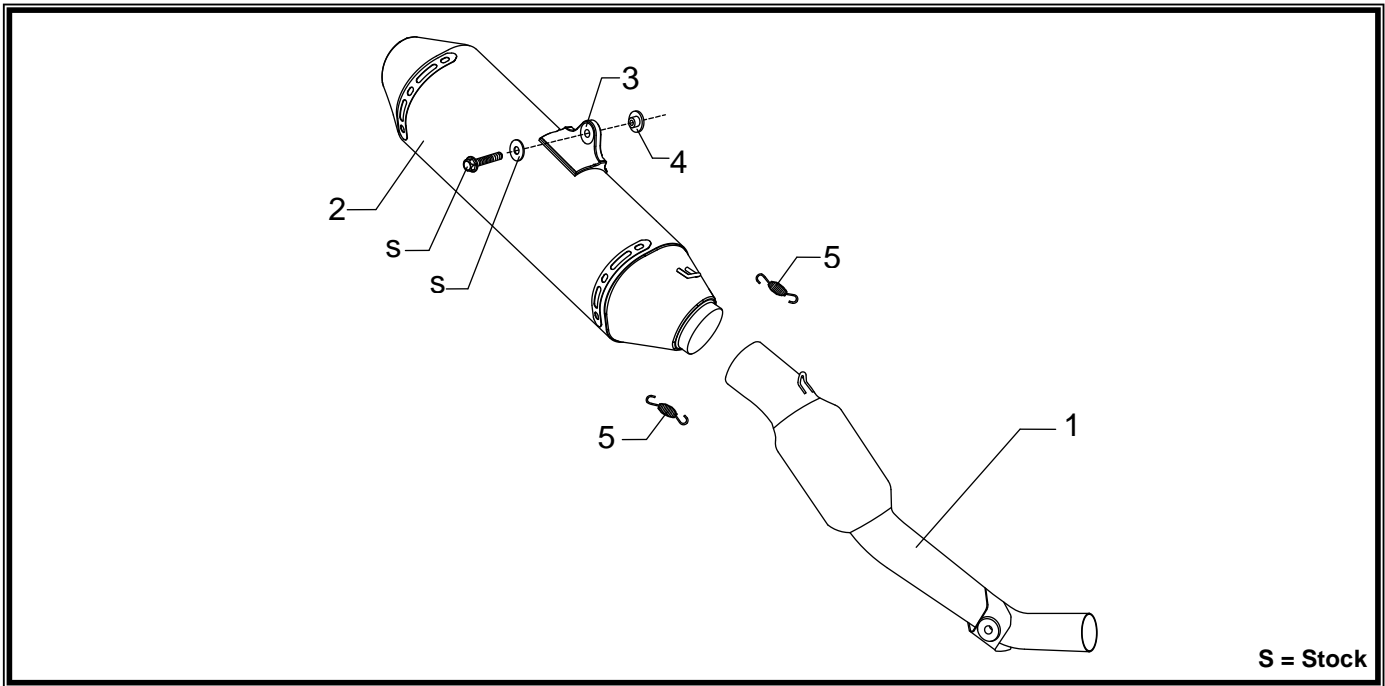
APPLICATION

YEAR	MODEL
1996-2013	Suzuki DR650

PRODUCT

116502C350	RS2 SS Slip-On Exhaust with Aluminum Sleeve; Spark Arrested
------------	---

- This product is designed for use in closed course racing and is not intended for highway use. In the state of California, it is illegal to modify the emission control system, which includes the fuel injection of any vehicle.
- You must know how to remove and replace your stock exhaust in order to install this product otherwise have it installed by a professional mechanic. Keep all stock parts from your existing system as some components may be necessary to install your new Yoshimura exhaust depending on the application.
- Read through all instructions before beginning installation. Exhaust system can be extremely hot. Let motorcycle cool down before beginning installation. Always wear hand and eye protection and take precautionary measures to avoid injury.



S = Stock

No.	Part #	Description	Qty
1	11650-435	Yoshimura Tailpipe	1
2	116502C350-RMA	Yoshimura Muffler	1
3	Z1022	Rubber Grommet	1
4	ALS-002	Aluminum Spacer	1
5	RACE-SPX-1	Short Spring w/ Insulator 1.8"	2
**	347PLUG	Muffler Wash Plug	1
**	ST-200	Spring Puller Tool	1
**	17029	Yoshimura Sticker Sht	1

-TOOLS REQUIRED-

Metric Socket Set
Combination Wrench Set
Torque Wrench
Metric Allen Wrench Set
Screwdriver

-REMOVAL-

1. **Removing the side panel.**
2. **Remove side cover by removing the (2) allen bolts.**
3. **Loosen exhaust clamp on stock header.**
4. **Remove chassis mount bolt securing tailpipe to frame.**
5. **While securely supporting the muffler, remove muffler mount bolt.**
6. **Carefully slide the stock muffler assembly off of the stock header.**

Note: The stock exhaust gasket will be used with the Yoshimura system. Inspect gasket and replace if necessary. (Suzuki P/N: 14771-32E00)

-INSTALLATION-

1. *Small parts installation.*
 - a) **Install provided rubber grommet into muffler bracket.**
 - b) **Install aluminum spacer provided in the kit into rubber grommet. See diagram for orientation.**
2. *Installing the muffler tailpipe assembly.*
 - a) **Carefully install Yoshimura muffler tailpipe assembly by sliding it into the stock header. Use caution when installing and be sure not to damage the exhaust gasket.**
 - b) **Align chassis mount bracket on tailpipe to chassis and install using stock hardware. Do not torque at this time.**
 - c) **Align and install muffler mount using stock hardware.**

Note: Removal of muffler springs may be necessary to twist and rotate the muffler independently to achieve desired alignment. Re-install muffler springs when desired alignment is achieved.

- d) **Tighten and torque chassis mount and muffler mount bolt to 23 Nm. (2.3 kg-m, 17 ft-lb)**
 - e) **Tighten and torque exhaust clamp to 13 Nm. (1.3 kg-m, 10 ft-lb)**
 - f) **Re-install side panel.**
 - g) **Re-install side cover.**
3. *Fitment check and Notes.*
 - a) **Before starting motorcycle, check for proper clearance between new exhaust system and rear suspension (i.e. tire, swing-arm, brake, rear shock, engine, and etc.) If any problem is found, please carefully follow through the installation steps again. If problem still persists, please call Yoshimura Tech Department at (800) 634-9166 / in CA (909) 628-4722.**
 - b) **It is recommended that the muffler and tailpipe be wiped down with rubbing alcohol to remove oil and fingerprints. This will help prevent tarnishing of the finish after the exhaust is heated up.**
 - c) **NOTE: After starting motorcycle, it is normal for new exhaust system and muffler to emit smoke until oil residue burns off.**